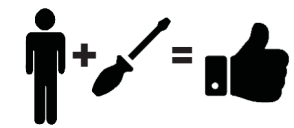
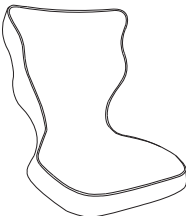

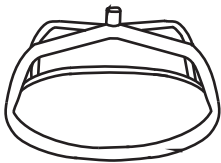
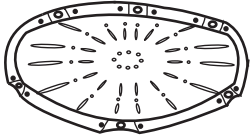





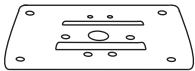
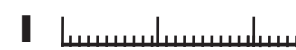


POCKET

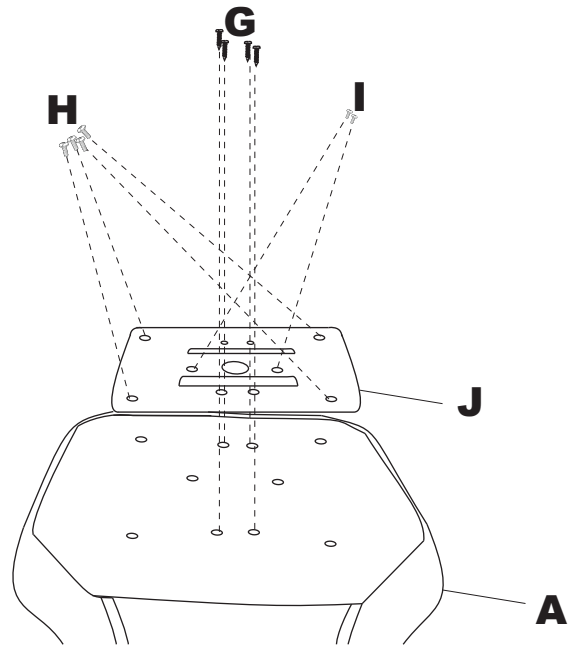


A  1x	B  1x	C  1x	D  1x	E  6x
F  12x M5X15	G  4x M5X20	H  4x M5X35	I  2x M5X25	J  1x

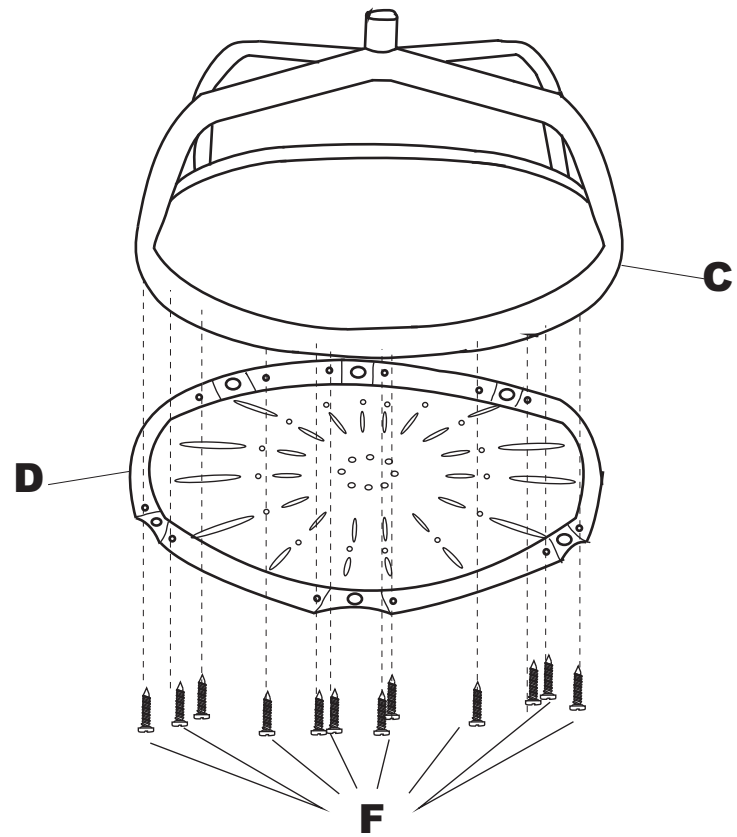


 10min.

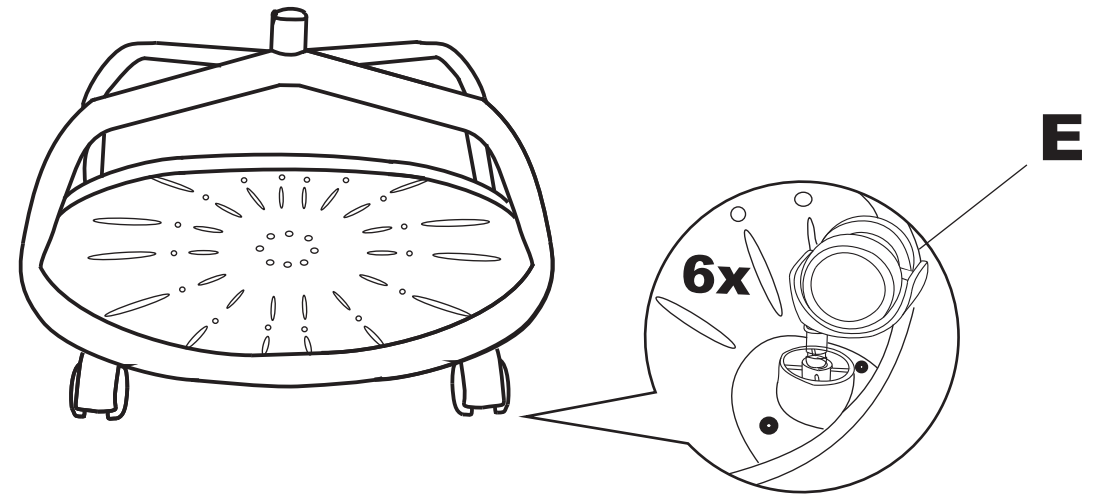
1



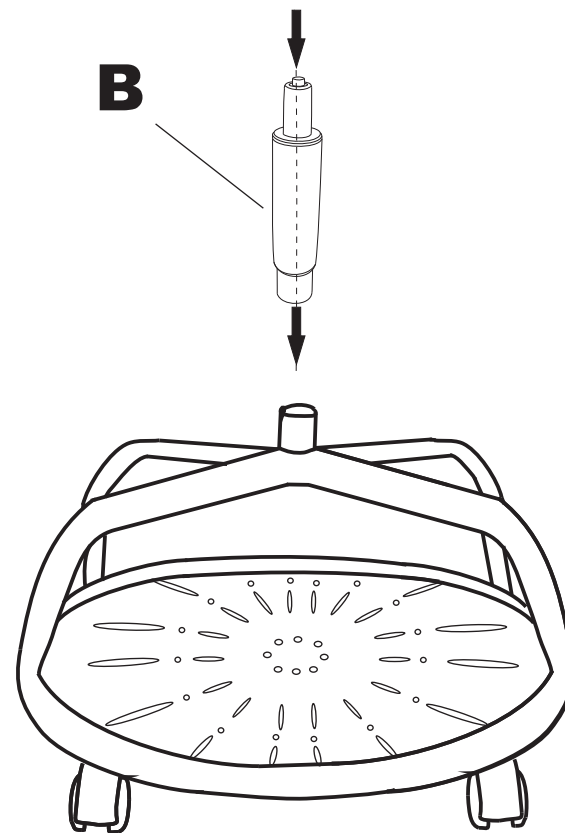
2



3



4



5

